



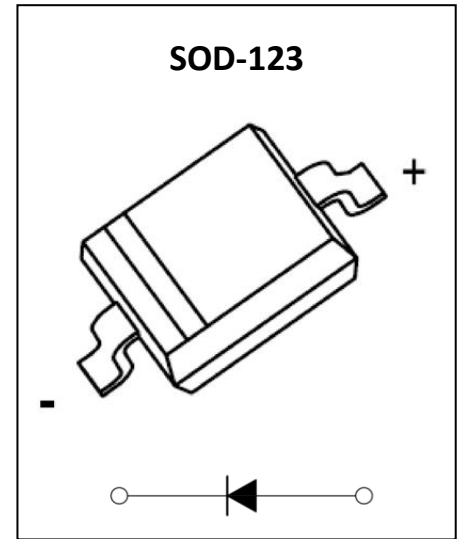
B1040W Schottky Barrier Diode

Feature

- Low Forward Voltage Drop
- Low Reverse current
- Very Small SMD Package

Application

- Low Voltage Rectification
- Switch Mode Power Supply
- High Efficiency DC/DC Conversion
- Inverse Polarity Protection
- Low Power Consumption Applications



MARKING:



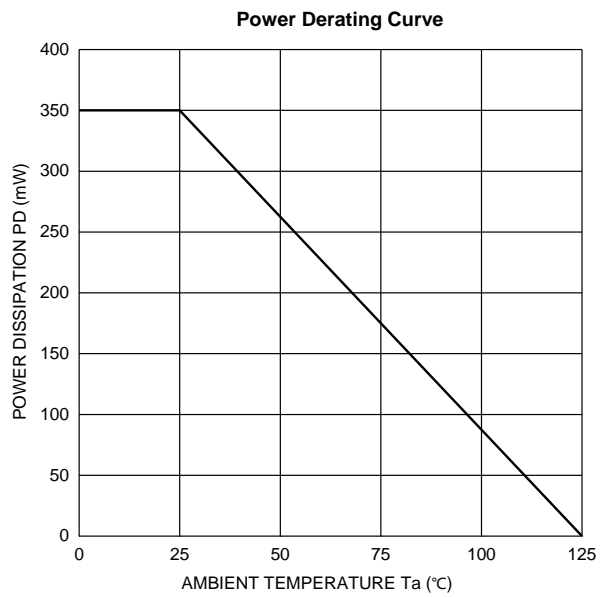
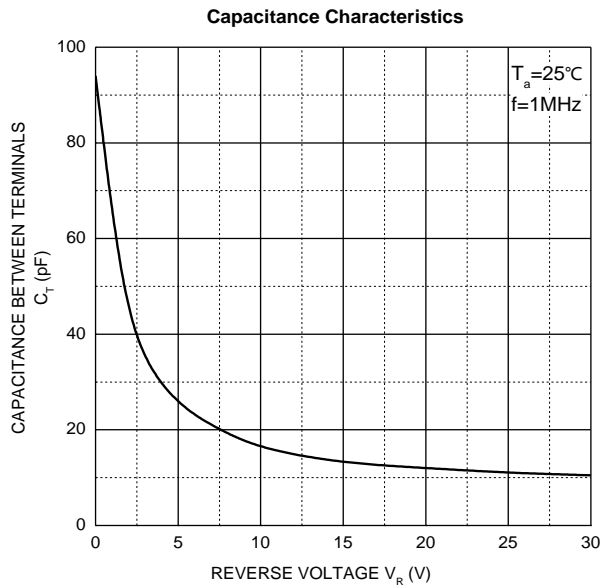
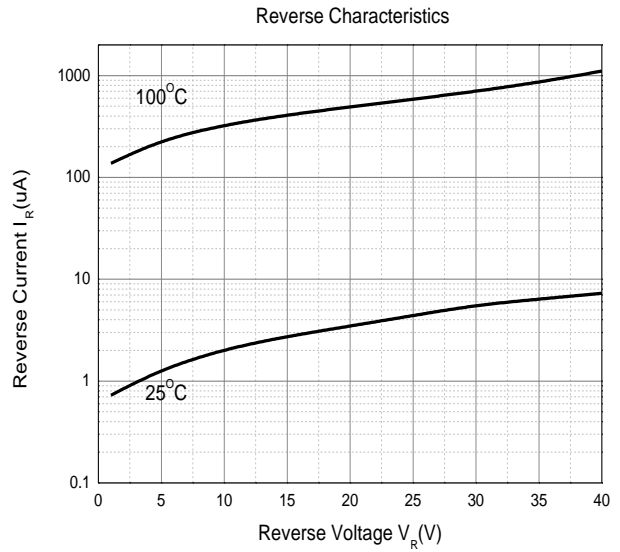
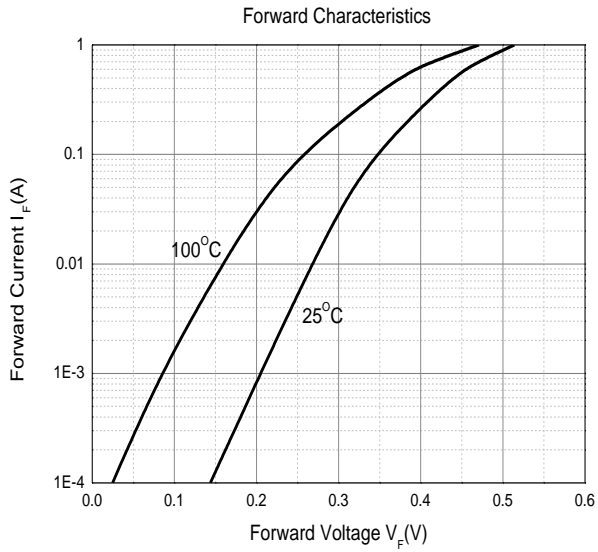
ABSOLUTE MAXIMUM RATINGS (T_A=25°C unless otherwise noted)

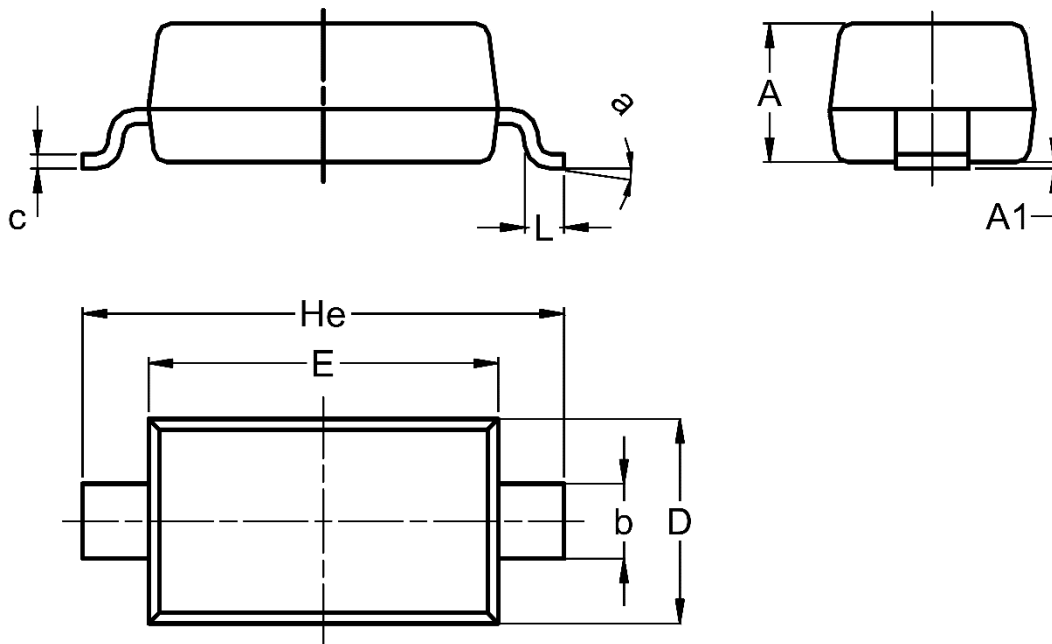
Parameter	Symbol	Value	Unit
DC reverse voltage	V _R	40	V
Mean rectifying current	I _o	1	A
Non-repetitive Peak Forward Surge Current @ t=8.3ms	I _{FSM}	9	A
Power Dissipation	P _D	0.35	W
Thermal Resistance from Junction to Ambient	R _{θJA}	285	°C/W
Junction Temperature	T _J	125	°C
Storage Temperature	T _{STG}	-55 ~ +150	°C

ELECTRICAL CHARACTERISTICS (T_A=25°C unless otherwise noted)

Parameter	Symbol	Test Condition	Min	Type	Max	Unit
Reverse voltage	V _{BR}	I _R = 250uA	40			V
Reverse current	I _R	V _R = 20V		2	20	μA
		V _R = 40V		5	50	μA
Forward voltage	V _F	I _F = 0.5A		0.45	0.5	V
		I _F = 0.7A		0.48	0.54	V
		I _F = 1A		0.5	0.62	V
Diode capacitance	C _D	V _R = 10V, f = 1MHz		18		pF

Typical Characteristics



SOD-123 Package Outline Dimensions


Symbol	Dimensions In Millimeters		Dimensions In Inches	
	Min.	Max.	Min.	Max.
A	0.950	1.350	0.037	0.053
A1	0	0.100	0	0.004
c	0.090	0.120	0.004	0.005
D	1.500	1.700	0.059	0.067
b	0.450	0.650	0.018	0.026
He	3.450	3.850	0.136	0.152
E	2.550	2.800	0.100	0.110
L	0.200	0.400	0.008	0.016
a	0°	8°	0°	8°